

Line Pressure Regulators

FLR-5 Series High Flow Diaphragm Regulators

Features

- ⦿ Suitable for low pressure and high flow applications
- ⦿ Large diameter convoluted diaphragm to increase pressure sensitivity
- ⦿ 316L SS body for corrosive gases, and Brass body for non-corrosive gases
- ⦿ Fitted with captured vent as standard
- ⦿ With special cleaning and packaging, applicable to oxygen-enriched environments
- ⦿ Panel mounted or installed with screws at the bottom

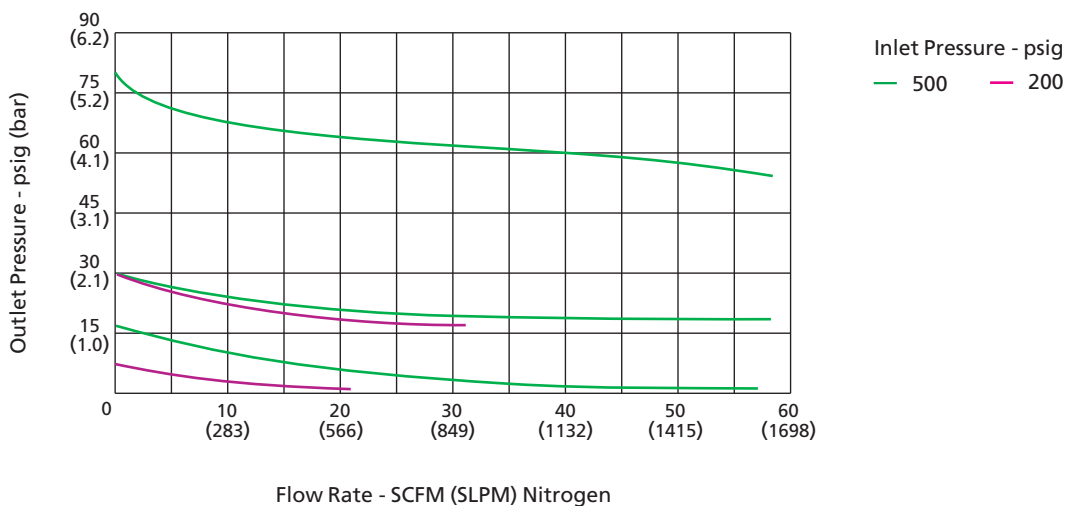
Technical Data

- ⦿ Single-stage regulator
- ⦿ Maximum inlet pressure: 500 psig
- ⦿ Outlet pressure ranges: 0~15, 0~30, 0~75, 0~150 psig
- ⦿ Material of the internal components:
 - Seat: PCTFE
 - Diaphragm: Hastelloy
- ⦿ Temperature: -40°F~+165°F (-40°C~+74°C)
- ⦿ Leak rates:
 - Internal: Bubble-tight
 - External: $\leq 1 \times 10^{-9}$ mbar.l/s helium
- ⦿ Flow coefficient (Cv): 1.8
- ⦿ Weight (regulator only): ≈ 5.95 lbs (2.7 Kg)
- ⦿ Body ports: 3/4" female NPT for inlet, outlet,
1/4" female NPT for gauge



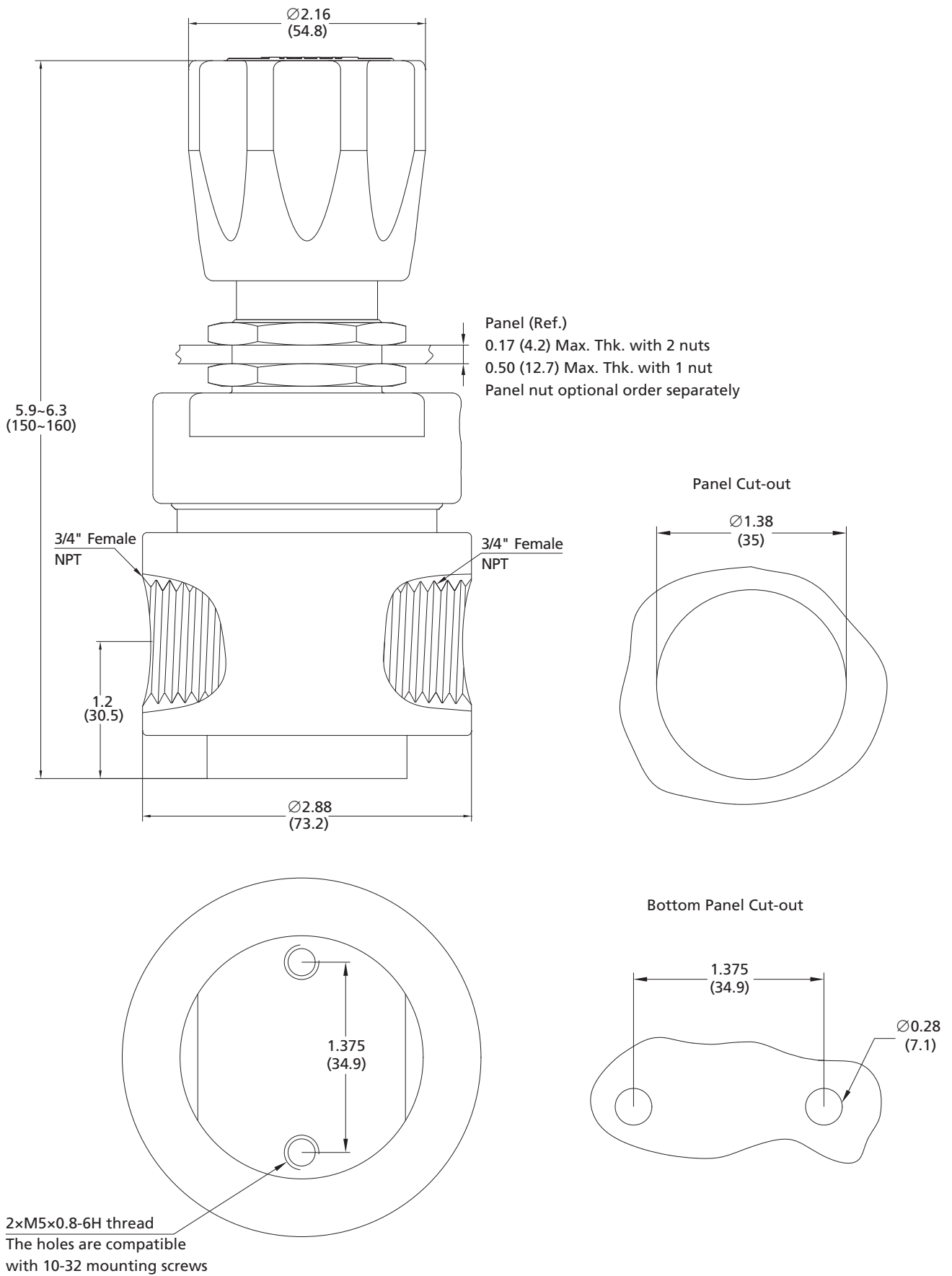
Model: FLR-56L-05-100-04-04-Z

Typical Flow Chart

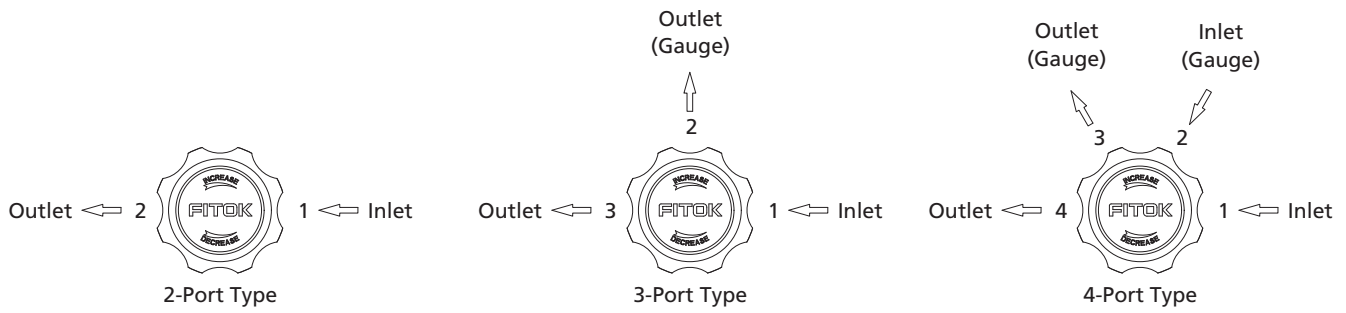


Dimensions

Dimensions, in inches (millimeters), are for reference only.



Porting Configurations



Part Number Description

FLR - 56L - 05 - 150 - 05 - B - B - 05 - Z

Body Material		Inlet Pressure P1		Connection 1		Connection 2		Connection 3		Connection 4	
6L	316L SS	05	500 psig	05	3/4" Female NPT	B	With Gauge (psi/bar)	Same as Connection 2		Same as Connection 1	
SS	316 SS			14	3/4" Tube Fitting	M	With Gauge (MPa)				
B	Brass			16	1" Tube Fitting	P	Plug				
		Outlet Pressure Range P2		25	16 mm Tube Fitting	00	1/4" Female NPT			Installation Type	
		15 0~15 psig		26	18 mm Tube Fitting	01	1/4" Male NPT			Not Required	
		30 0~30 psig		27	20 mm Tube Fitting	10	1/4" Tube Fitting			Z Installed with One Panel Nut	
		75 0~75 psig		28	22 mm Tube Fitting	11	3/8" Tube Fitting			M Installed with Two Panel Nuts	
		150 0~150 psig		Other connections are available upon request		20	6 mm Tube Fitting			N Installed with Screws at the Bottom	
						21	8 mm Tube Fitting				
						Other connections are available upon request					

Note: Most configurations are available.
 Examples of part number:
 a. 2-port type (1 in, 1 out): FLR-56L-05-15-05-05
 b. 3-port type (1 in, 2 out): FLR-56L-05-30-05-B-05
 c. 4-port type (2 in, 2 out): FLR-5SS-05-150-05-B-B-05