

# Cylinder Pressure Regulators

## FCR-1S Series Sensitive Diaphragm Regulators

### Features

- ⦿ Large diameter convoluted diaphragm to increase pressure sensitivity and minimize pressure drop
- ⦿ Fitted with captured vent as standard
- ⦿ 316L SS and Brass available for valve
- ⦿ With special cleaning and packaging, applicable to oxygen-enriched environments
- ⦿ Die spring for stable outlet pressure
- ⦿ 20 µm filter installed at inlet

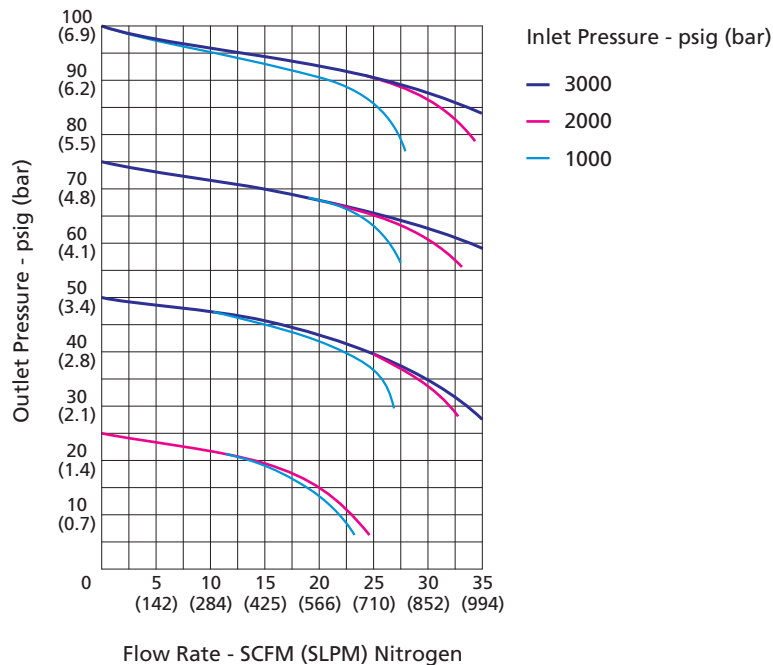


Model: FCR-1S6L-30-50-C580-B-B-00-R-P

### Technical Data

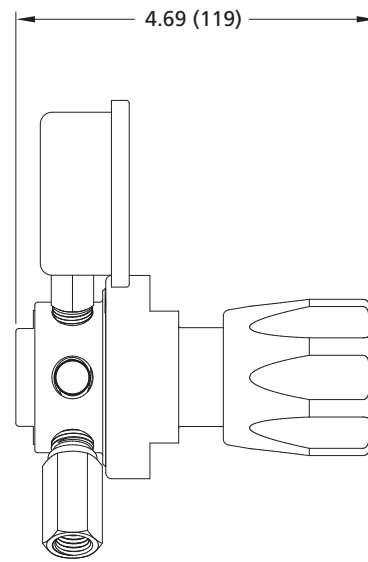
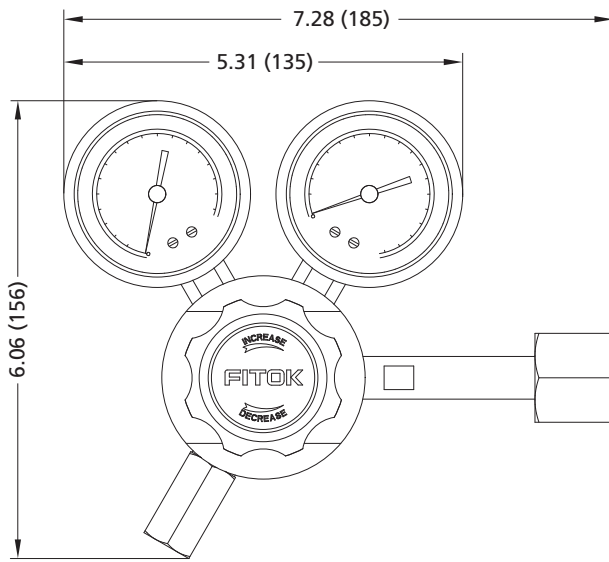
- ⦿ Single-stage regulator
- ⦿ Maximum inlet pressure: 3000 or 4500 psig
- ⦿ Outlet pressure range: 0~25, 0~50, 0~100, 0~150 or 0~200 psig
- ⦿ Material of the internal components:
  - Seat: PCTFE
  - Diaphragm: 316L
  - Filter: 316L
- ⦿ Temperature: -40°F~+165°F (-40°C~+74°C)
- ⦿ Leak rates:
  - Internal:  $\leq 1 \times 10^{-7}$  mbar-l/s helium
  - External:  $\leq 1 \times 10^{-9}$  mbar-l/s helium
- ⦿ Flow coefficient (Cv): 0.06
- ⦿ Weight (regulator only):  $\approx 2.87$  lbs (1.3 kg)
- ⦿ Body ports: 1/4" female NPT for inlet, outlet, gauge and relief valve

### Typical Flow Chart

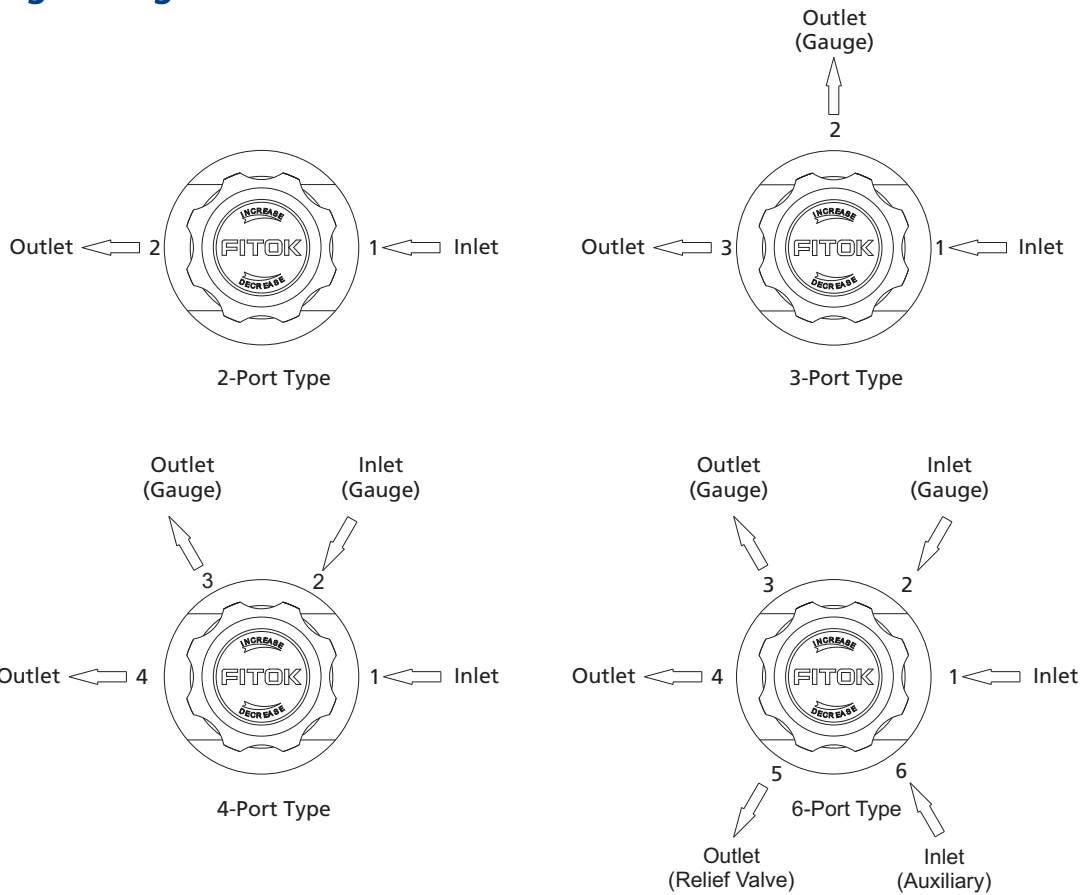


## Dimensions

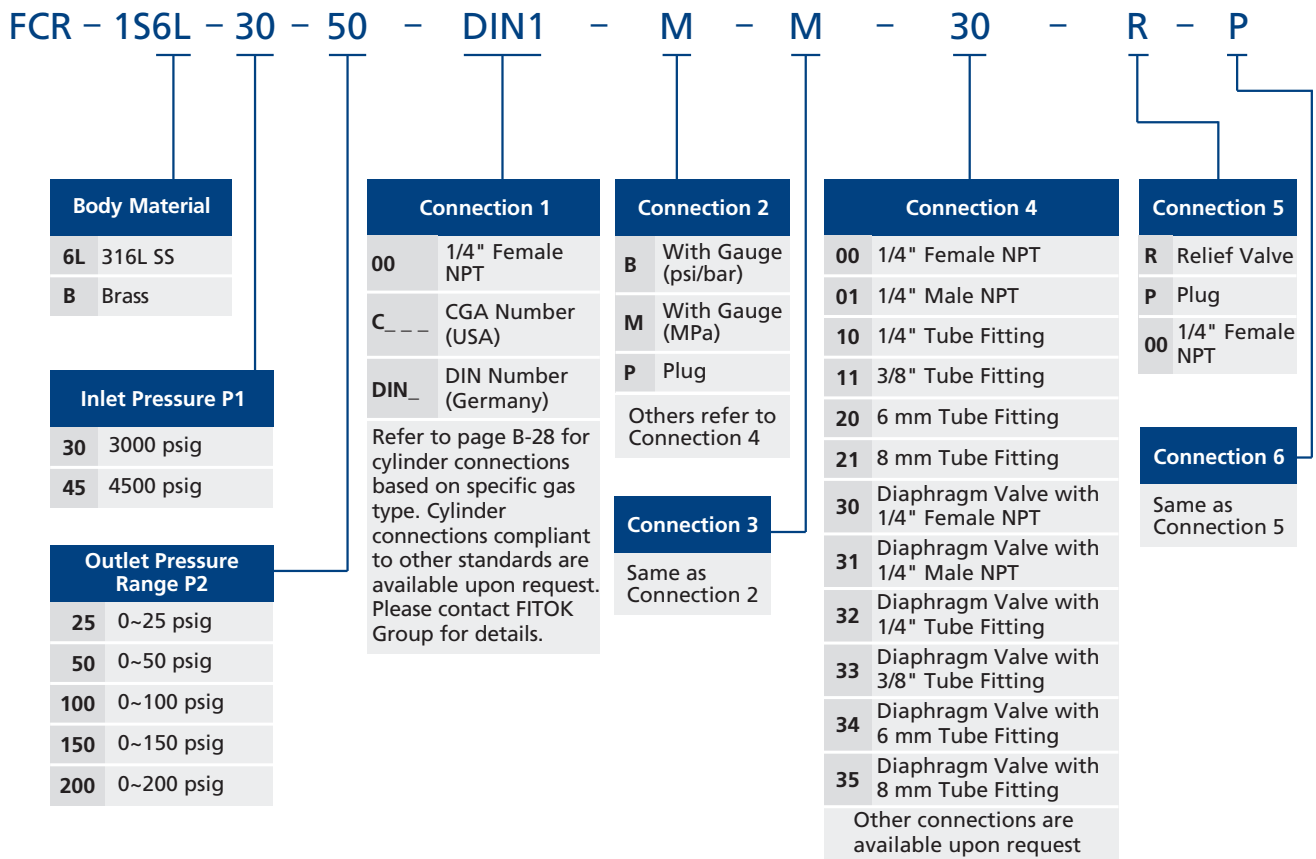
Dimensions, in inches (millimeters), are for reference only.



## Porting Configurations



## Part Number Description



Note: Most configurations are available.

Examples of part number:

a. 2-port type (1 in, 1 out): FCR-1S6L-45-25-C580-00

b. 3-port type (1 in, 2 out): FCR-1SB-30-150-C330-B-00

c. 4-port type (2 in, 2 out): FCR-1SB-45-200-00-00-00-00