

Cylinder Pressure Regulators

FCR-1D Series Dual-stage Diaphragm Regulators

Features

- ⦿ Compact design
- ⦿ Dual-stage pressure reducing construction to provide accurate and stable pressure
- ⦿ 20 μm filter installed at inlet
- ⦿ With special cleaning and packaging, applicable to oxygen-enriched environments

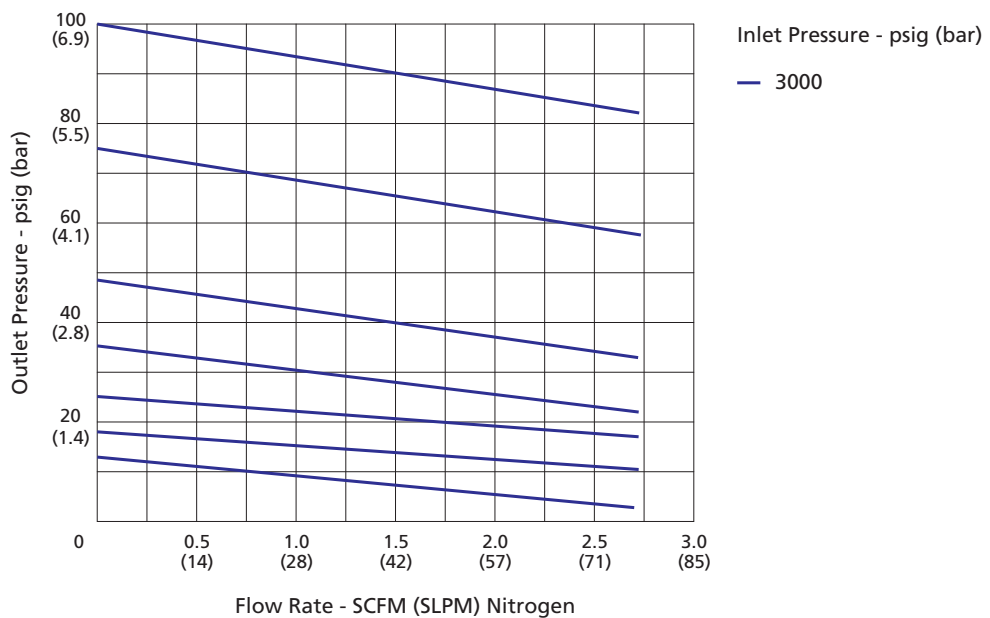


Model: FCR-1D6L-30-100-C660-B-B-00-R-P

Technical Data

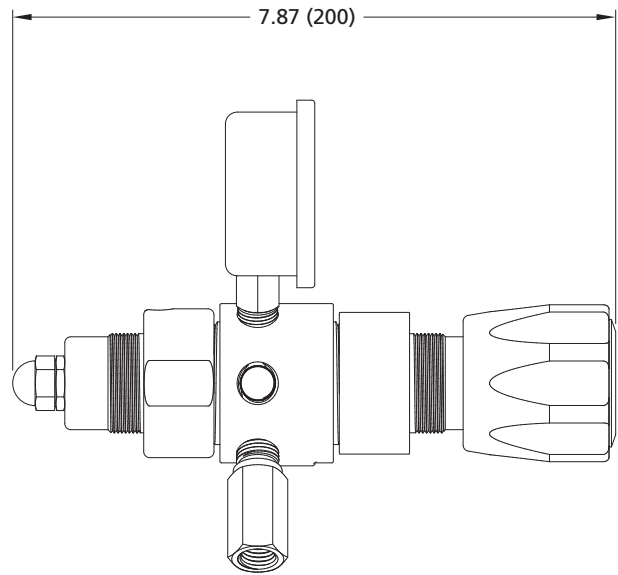
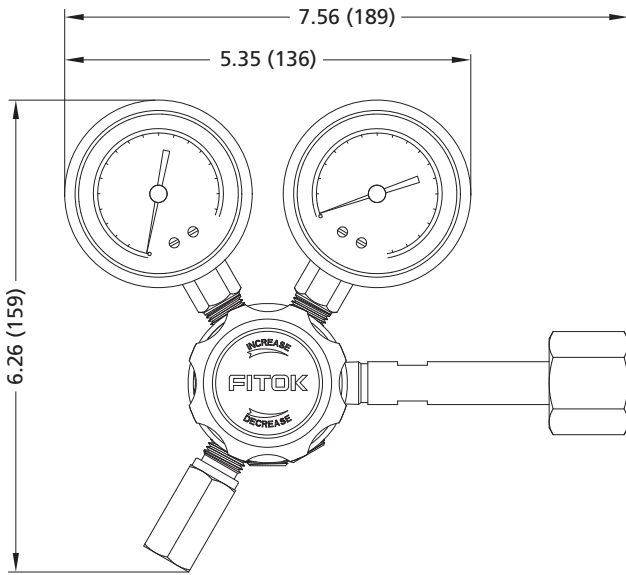
- ⦿ Maximum inlet pressure: 3000 or 4500 psig
- ⦿ 1st stage outlet pressure range: 480~500 psig
2nd stage outlet pressure range: 0~25, 0~50, 0~100, 0~150, 0~250 psig
- ⦿ Material of the internal components:
Seat: PCTFE
Diaphragm: Hastelloy
Filter: 316L
- ⦿ Temperature: $-40^{\circ}\text{F} \sim +165^{\circ}\text{F}$ ($-40^{\circ}\text{C} \sim +74^{\circ}\text{C}$)
- ⦿ Leak rates:
Internal: $\leq 1 \times 10^{-7}$ mbar·l/s helium
External: $\leq 1 \times 10^{-9}$ mbar·l/s helium
- ⦿ Flow coefficient (Cv): 0.05
- ⦿ Weight (regulator only): ≈ 3.3 lbs (1.5 kg)
- ⦿ Body ports: 1/4" female NPT for inlet, outlet, gauge and relief valve

Typical Flow Chart

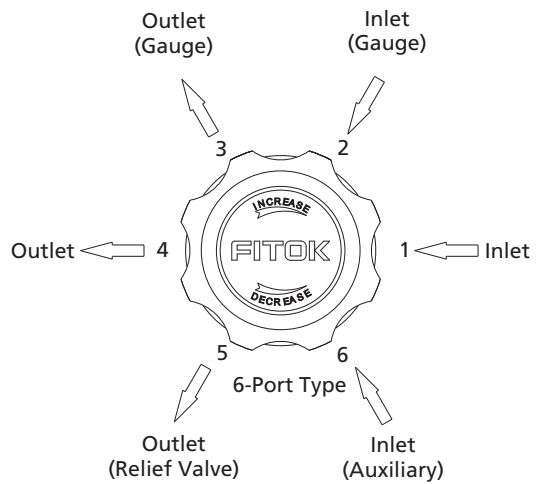
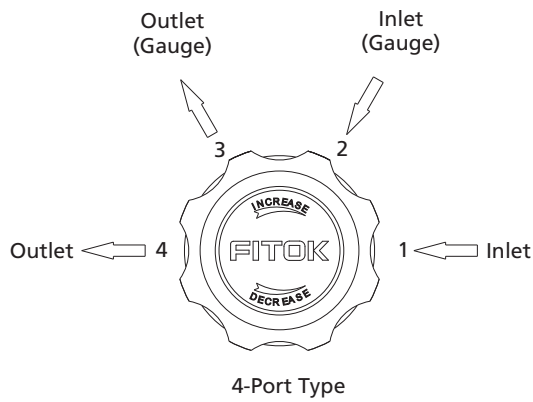


Dimensions

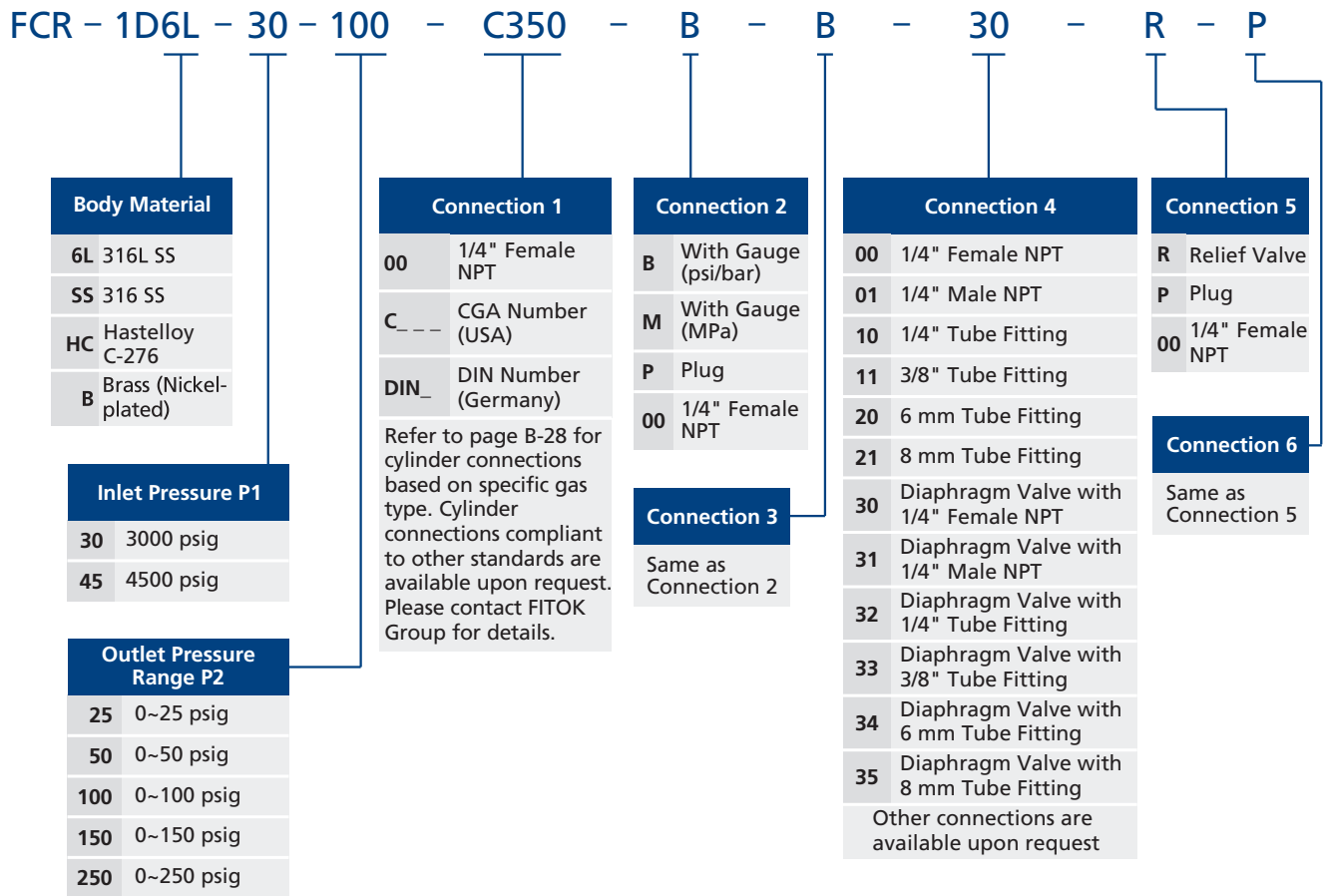
Dimensions, in inches (millimeters), are for reference only.



Porting Configurations



Part Number Description



Note: Most configurations are available.
Examples of part number:

- a. 4-port type (2 in, 2 out): FCR-1DB-45-150-DIN1-B-B-30
- b. 6-port type (3 in, 3 out): FCR-1DSS-30-50-C580-B-B-00-R-P