

Cylinder Pressure Regulators

FCR-1 Series General Diaphragm Regulators

Features

- ⦿ Metal-to-metal seal to minimize external leak
- ⦿ Convolutional diaphragm design to improve regulation precision and cycle life
- ⦿ Applicable to corrosive or toxic gases
- ⦿ With special cleaning and packaging, applicable to oxygen-enriched environments
- ⦿ Adjustable relief pressure
- ⦿ 20 µm filter installed at inlet

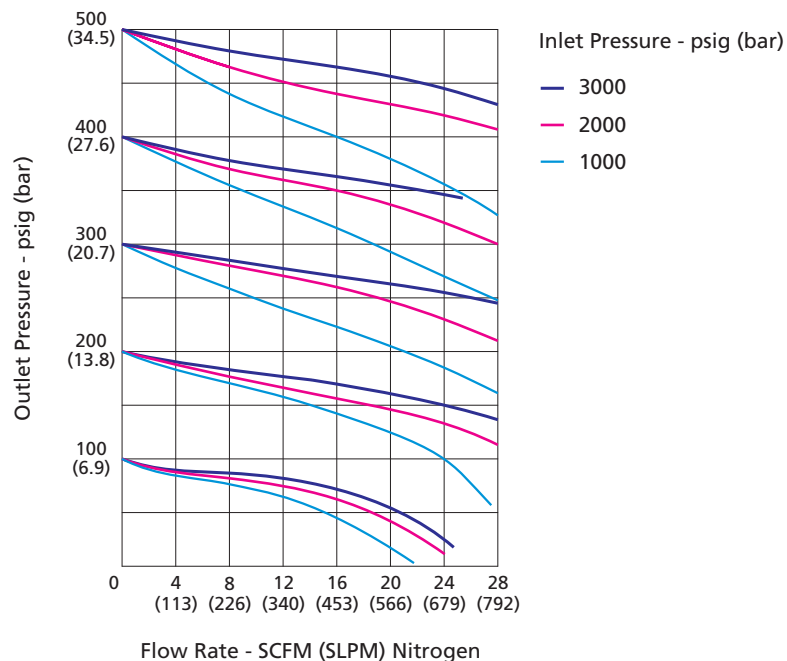


Model: FCR-16L-30-100-C330-B-B-00-R-P

Technical Data

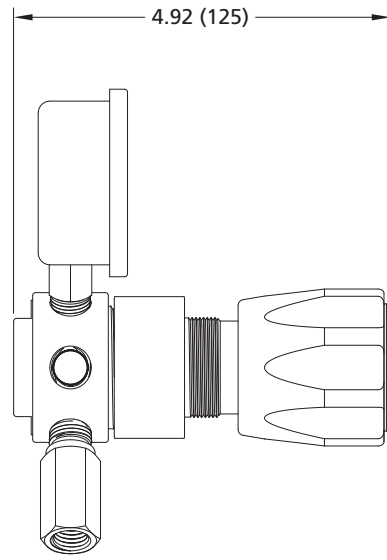
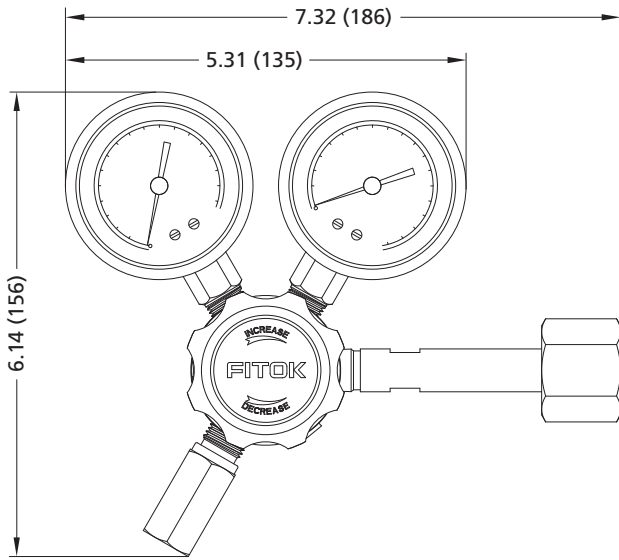
- ⦿ Single-stage regulator
- ⦿ Maximum inlet pressure: 3000 or 4500 psig
- ⦿ Outlet pressure range: 0~25, 0~50, 0~100, 0~250 or 0~500 psig
- ⦿ Material of the internal components:
 - Seat: PCTFE
 - Diaphragm: Hastelloy
 - Filter: 316L
- ⦿ Temperature: -40°F~+165°F (-40°C~+74°C)
- ⦿ Leak rates:
 - Internal: $\leq 1 \times 10^{-7}$ mbar·l/s helium
 - External: $\leq 1 \times 10^{-9}$ mbar·l/s helium
- ⦿ Flow coefficient (Cv): 0.06
- ⦿ Weight (regulator only): ≈ 1.98 lbs (0.9 kg)
- ⦿ Body ports: 1/4" female NPT for inlet, outlet, gauge and relief valve

Typical Flow Chart

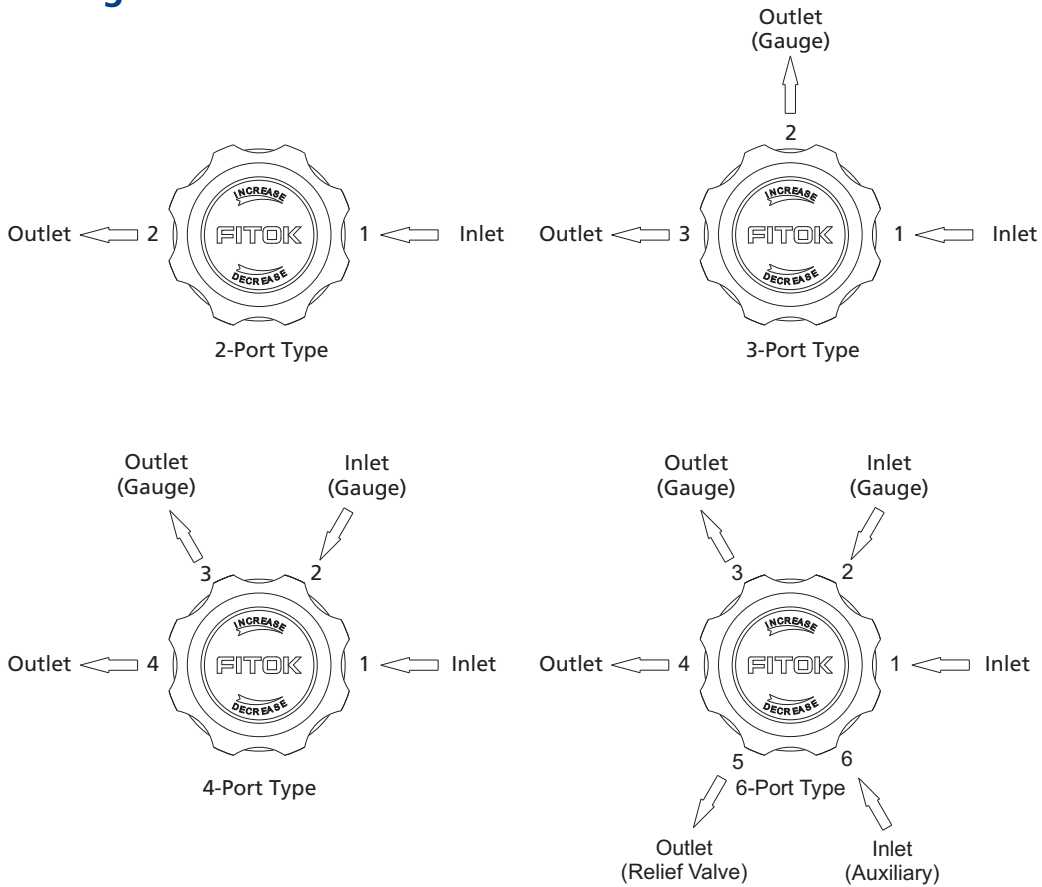


Dimensions

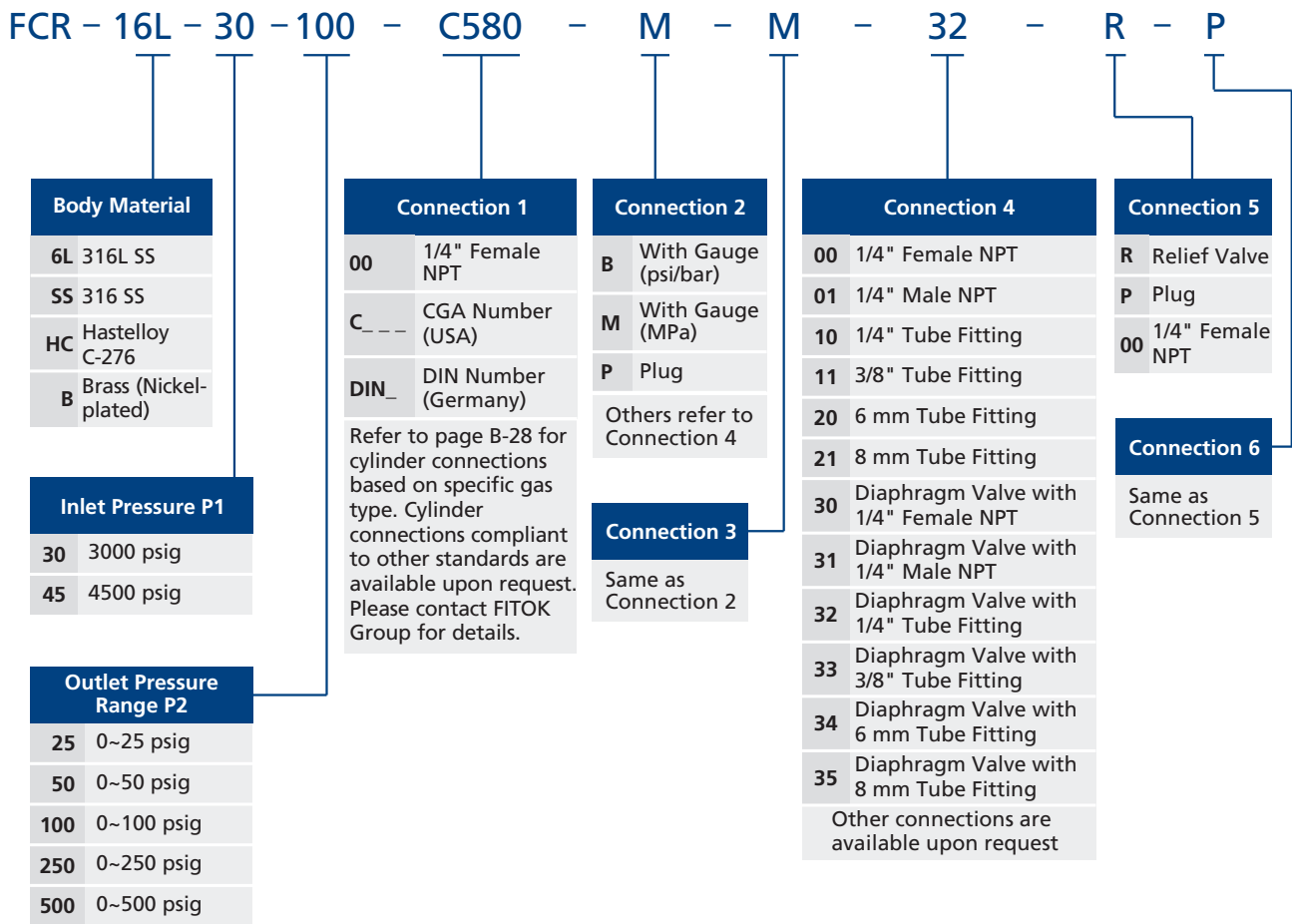
Dimensions, in inches (millimeters), are for reference only.



Porting Configurations



Part Number Description



Note: Most configurations are available.

Examples of part number:

- a. 2-port type (1 in, 1 out): FCR-16L-45-100-C580-00
- b. 3-port type (1 in, 2 out): FCR-1SS-30-500-C330-B-00
- c. 4-port type (2 in, 2 out): FCR-1B-45-250-00-B-B-34